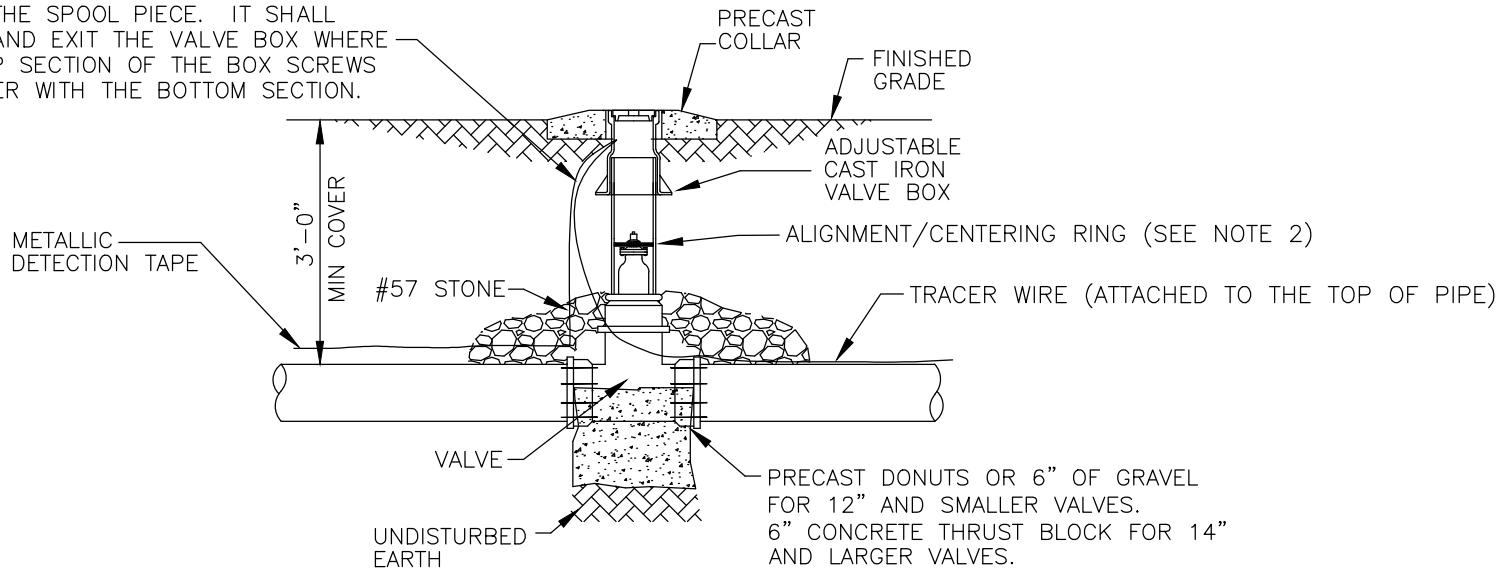


TRACER WIRE SHALL NOT BE INSTALLED INSIDE THE SPOOL PIECE. IT SHALL ENTER AND EXIT THE VALVE BOX WHERE THE TOP SECTION OF THE BOX SCREWS TOGETHER WITH THE BOTTOM SECTION.



NOTES:

1. VALVES TO OPEN COUNTER CLOCKWISE.
2. VALVE BOX ALIGNMENT/CENTERING RING USE TRUMBULL BOXLOK, ADAPTOR INC. MFA, OR EQUIVALENT DCWS APPROVED ON ALL VALVE BOX APPLICATIONS.

DORCHESTER COUNTY WATER & SEWER

VALVE AND VALVE BOX		DRAWING: W-8
DATE: <u> MAY 2024 </u>	DRAWN BY: <u> STL </u>	
SCALE: <u> NTS </u>	APPROVED BY: <u> JDC </u>	