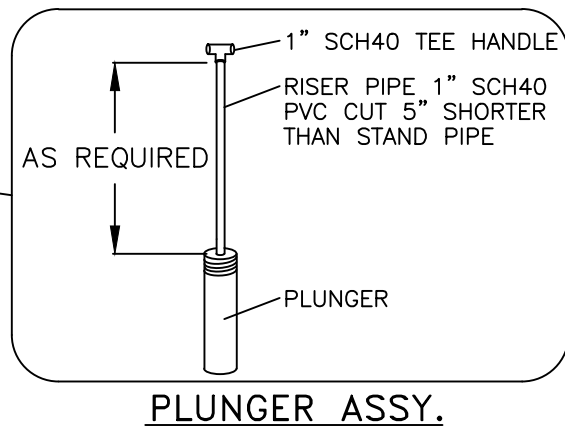
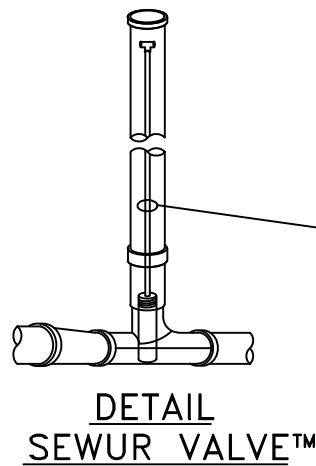


NOTES:

1. DOUBLE SERVICE LATERALS SHALL ONLY BE ALLOWED FOR RESIDENTIAL SERVICES.
2. ALL PIPING SHALL BE AS NOTED. GLUE JOINT PIPING SHALL NOT BE USED.



DORCHESTER COUNTY WATER & SEWER	
SINGLE SEWER SERVICE	DRAWING: S-8
DATE: <u> JUNE </u> 2014	DRAWN BY: <u> JDC </u>
SCALE: <u> NTS </u>	APPROVED BY: <u> KJC </u>