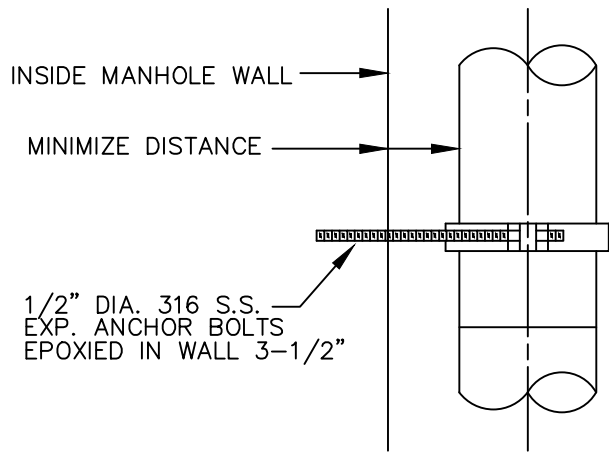


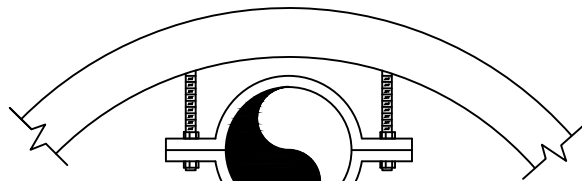
**NOTES:**

1. SEE MANHOLE DETAIL FOR ADDITIONAL DIMENSIONS, NOTES, AND INFORMATION.
2. ADD TWO TAPPING SCREWS AT PIPE FITTINGS ALONG DROP.

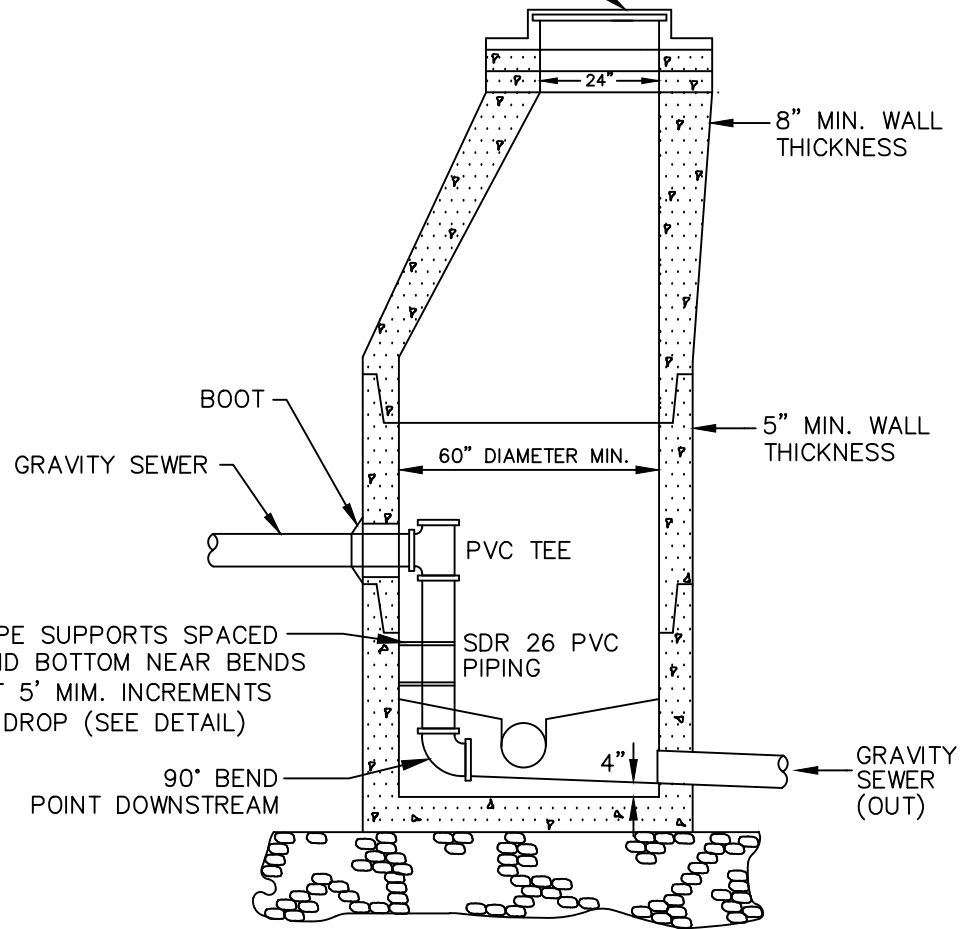
PAMREX OR US FOUNDRY MODEL # 924



SECTION



PIPE SUPPORT DETAILS



**DORCHESTER COUNTY WATER & SEWER**

**INSIDE DROP MANHOLE**

DRAWING:  
**S-4**

DATE: JULY 2016

DRAWN BY: STL

SCALE: NTS

APPROVED BY: JDC