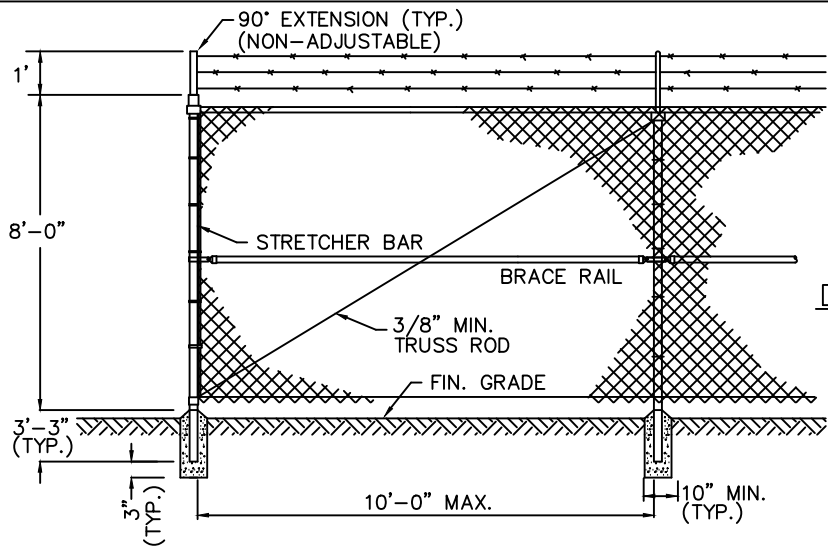
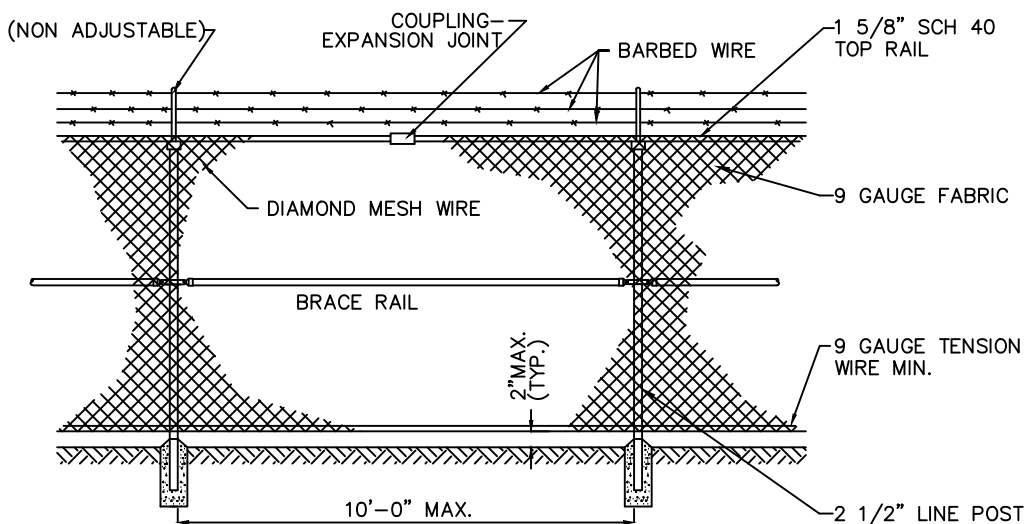


**NOTE:**

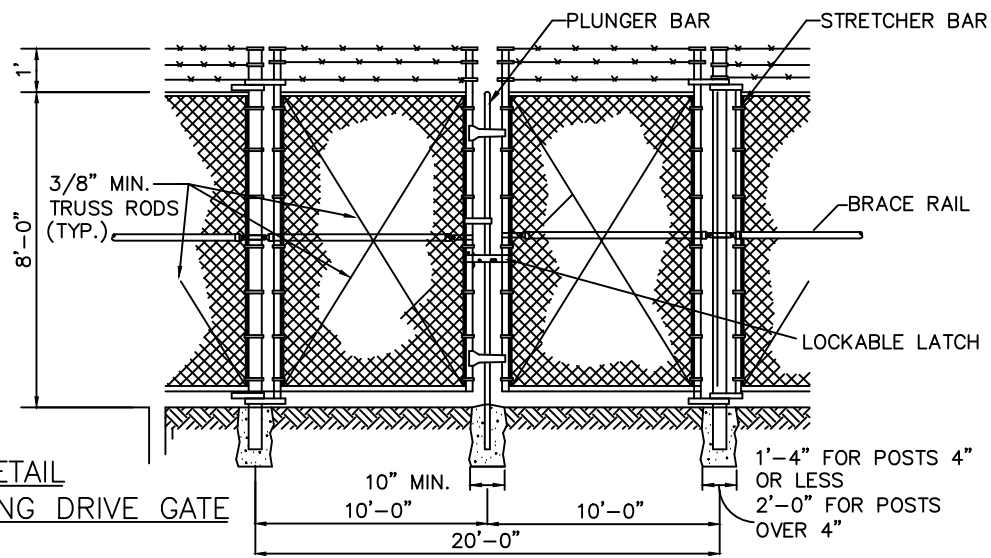
- ALL CHAIN LINK SHALL BE BLACK PVC COATED WITH BLACK VINYL SLATS (98% APPROXIMATE PRIVACY)
- ALL POSTS, PIPE RAILS AND APPURTENANCES SHALL BE BLACK PVC COATED TO MATCH CHAIN LINK.
- ALL GATE POSTS 6" MIN. DIAMETER.
- TOP AND BRACE RAILS SHOULD BE USED THROUGHOUT.
- ALL CHAIN LINK FENCING SHALL HAVE RECOMMENDED TIES AND BRACING TO ACCOMMODATE 98% APPROXIMATE PRIVACY.



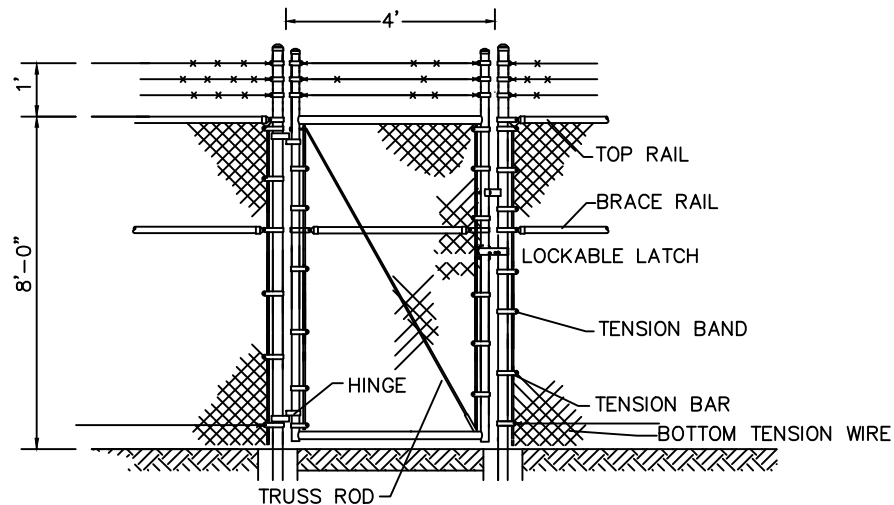
**DETAIL  
TYPICAL FENCE CORNER**



**DETAIL  
FENCE LINE SPAN**



**DETAIL  
DOUBLE SWING DRIVE GATE**



**DETAIL  
PEDESTRIAN GATE**

**DORCHESTER COUNTY WATER & SEWER**

**TYPICAL PUMP STATION  
CHAIN LINK FENCE DETAIL**

DRAWING:  
**S-14**

DATE: NOV 2023

DRAWN BY: STL

SCALE: NTS

APPROVED BY: JDC