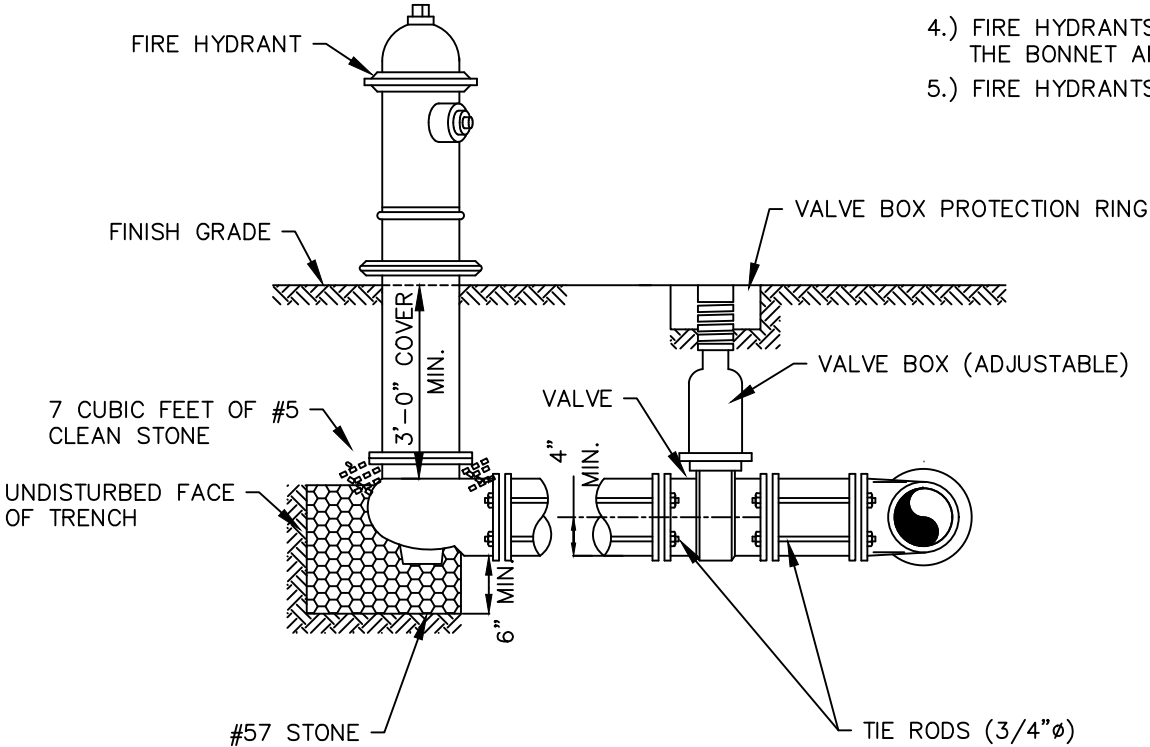


HYDRANT NOTES:

- 1.) ALL FIRE HYDRANT LEADS TO BE 6" DIP CLASS 52 WITH MECHANICAL JOINTS.
- 2.) COLLARS ARE TO BE PLACED AROUND BELLS AND CONNECTED BY 3/4" TIE RODS.
- 3.) ALL FITTINGS SHALL BE MECHANICAL JOINTS AT TEES, GATE VALVES & FIRE HYDRANTS.
- 4.) FIRE HYDRANTS SHALL BE PAINTED RED WITH WHITE ON THE BONNET AND CAPS.
- 5.) FIRE HYDRANTS SHALL HAVE A INTEGRAL STORZ CONNECTION.



DORCHESTER COUNTY WATER & SEWER	
FIRE HYDRANT ASSEMBLY	DRAWING: W-2
DATE: <u>APRIL 2019</u>	DRAWN BY: <u>STL</u>
SCALE: <u>NTS</u>	APPROVED BY: <u>JDC</u>