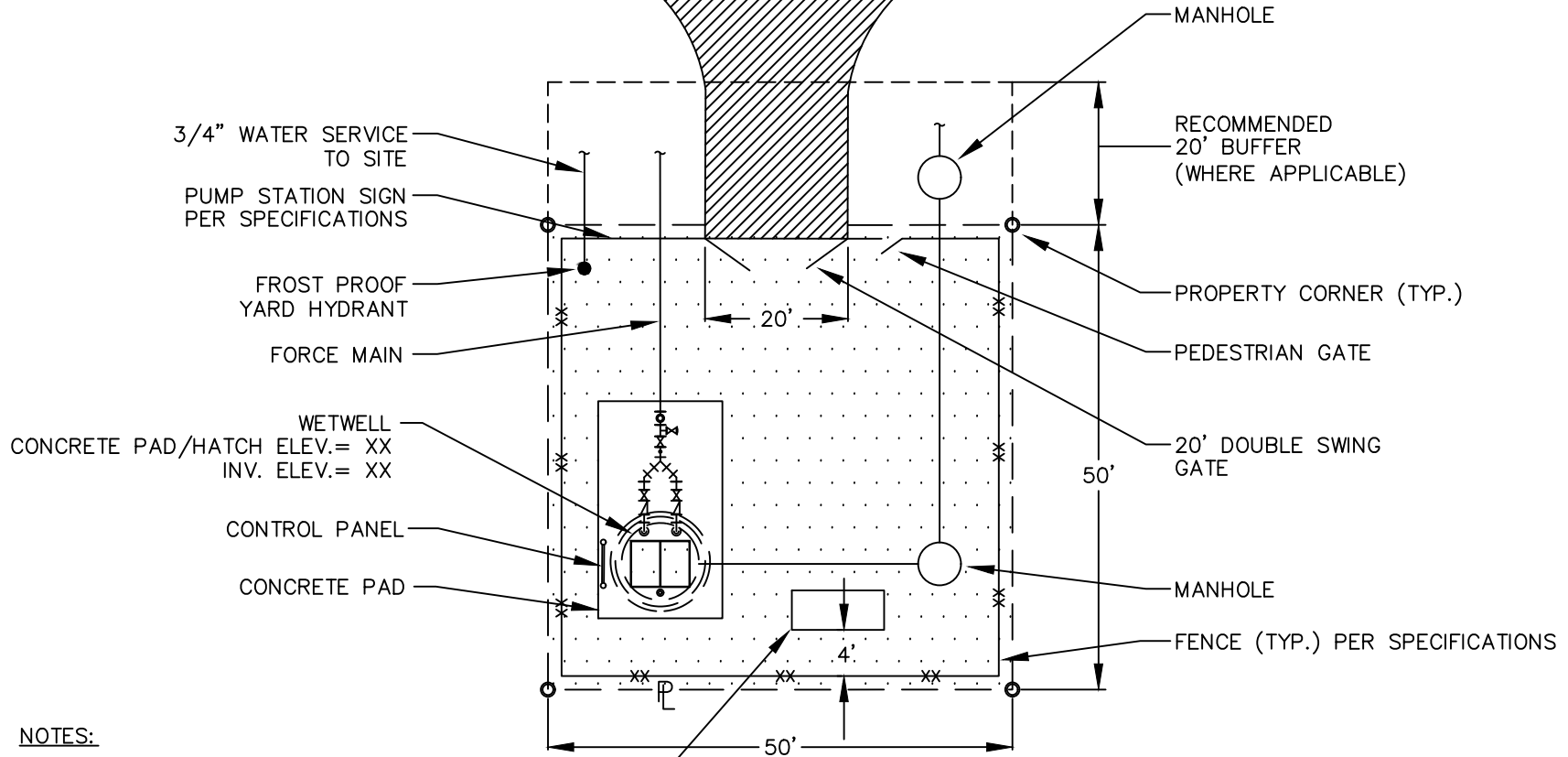


ROADWAY



NOTES:

- 1) PUMP STATION SITE SHALL HAVE NO OVERHEAD POWER.
- 2) ALL PIPING WITHIN PUMP STATION SITE TO BE DIP OR C900 PVC.
- 3) ENTRANCE ROAD AND PUMP STATION SITE TO BE ASPHALT PAVED. ASPHALT SHALL EXTEND 1' BEYOND FENCING ALL THE WAY AROUND SITE.
- 4) DRAWING IS TYPICAL ONLY. SEE PLAN VIEW FOR DETAILED PUMP STATION LAYOUT.

DORCHESTER COUNTY WATER & SEWER	
TYPICAL PUMP STATION LAYOUT	DRAWING: S-21
DATE: <u> JULY 2023 </u>	DRAWN BY: <u> STL </u>
SCALE: <u> NTS </u>	APPROVED BY: <u> JDC </u>